

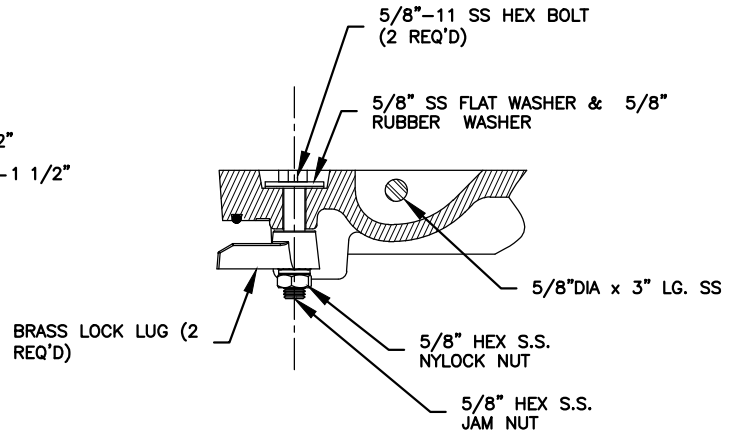
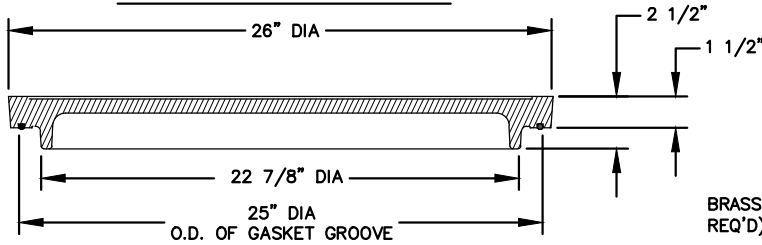
**NOTE:**

WATERTIGHT MANHOLE COVERS MUST BE USED FOR MANHOLES LOCATED WITHIN THE REGULATORY FLOODPLAIN.

MANHOLE FRAME SHALL BE ANCHORED TO THE CONE.

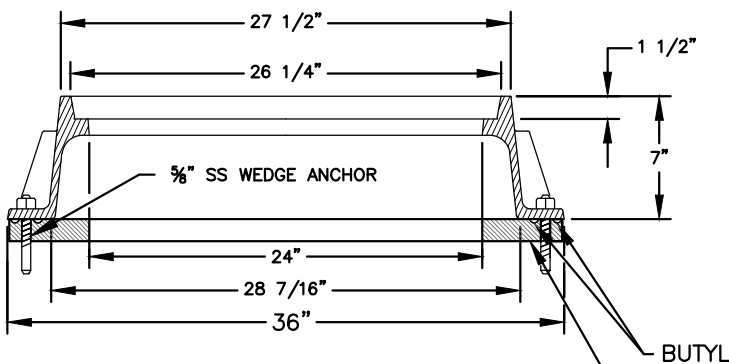
COVER SHALL BEAR THE WORDS: "SANITARY SEWER"

**TOP OF FRAME AND COVER**



**GASKET GROOVE, LOCKING LUG & PICK BAR DETAIL**

**MANHOLE COVER SECTION A-A**



**FRAME SECTION A-A**

APPROVED RUBBER RISER: 12" MAXIMUM; ONE FINISH RING MINIMUM; USE APPROVED SEALANT ON BOTH SIDES OF ALL RINGS TO ACHIEVE WATER TIGHT CONDITION.

DATE: 01/26/2024 SS-D DWG. NO. 12

SCALE: NOT TO SCALE

City of Hendersonville Engineering Department  
 305 Williams Street  
 Hendersonville, NC 28792  
 (828) 697-3000 (office)  
[www.cityofhendersonville.org](http://www.cityofhendersonville.org)

**WATERTIGHT, LOCKING  
 MANHOLE FRAME AND COVER**

