



FIRE HYDRANT
(SEE DETAIL WD-12)
(COORDINATE FIRE HYDRANT
REQUIREMENT AND LOCATION
WITH FIRE OFFICIAL)

FIRE DEPARTMENT CONNECTION
WITH WAFER CHECK VALVE
(COORDINATE REQUIREMENT FOR
FDC AND LOCATION WITH FIRE OFFICIAL)

TAPPING SLEEVE
AND VALVE
(SEE DETAIL WD-6)

PUBLIC EXISTING WATER MAIN

VALVE AND TAPPING SADDLE

ROW

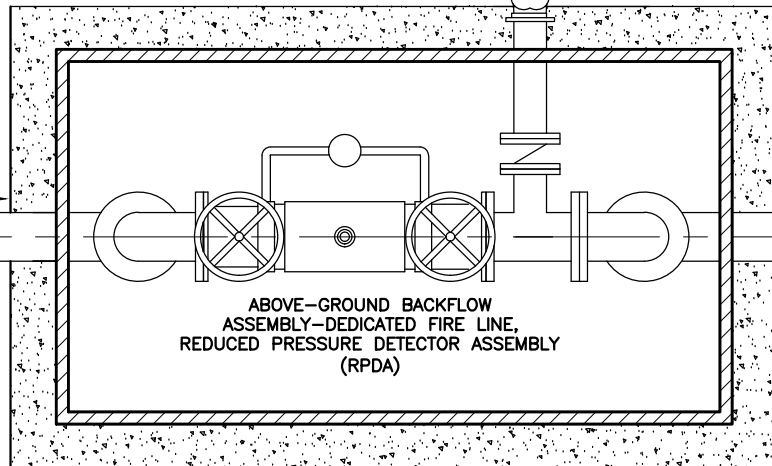
GATE VALVE & BOX

VALVE TO BE
LOCATED AT
RIGHT OF WAY

ROW

ROAD ROW/EDGE OF PRIVATE PROPERTY

ROW



ABOVE-GROUND BACKFLOW
ASSEMBLY—DEDICATED FIRE LINE,
REDUCED PRESSURE DETECTOR ASSEMBLY
(RPDA)

NOTES:

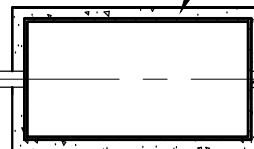
1. ALL WATER LINES AND APPURTENANCE SHALL BE INSTALLED IN ACCORDANCE WITH APPLICABLE CITY OF HENDERSONVILLE STANDARD DETAILS AND SPECIFICATIONS.
2. ALL FITTINGS AND APPURTENANCES SHALL BE PROPERLY RESTRAINED.
3. BACKFLOW PREVENTION ASSEMBLY MAKE/MODEL SHALL BE USC APPROVED, NON-LEAD, AND APPROVED BY THE CITY'S ENVIRONMENTAL COMPLIANCE COORDINATOR OR AUTHORIZED REPRESENTATIVE. BACKFLOW ASSEMBLY SHALL BE INSTALLED IN ACCORDANCE WITH MANUFACTURER'S RECOMMENDATION WITHIN AN ABOVE-GROUND HEATED ENCLOSURE DIRECTLY BEHIND THE WATER METER. THE WATER METER WILL NOT BE PROVIDED UNTIL THE INSTALLATION OF THE APPROVED BACKFLOW PREVENTION ASSEMBLY IS VERIFIED BY THE CITY.
4. FIRE HYDRANTS AND FDCS, AS REQUIRED BY THE FIRE OFFICIAL, SHALL BE CLEARLY DENOTED ON THE PLANS.

DOMESTIC WATER METER
(SEE DETAILS WD-08, WD-09,
WD-10, WD-18)

COH
RESPONSIBILITY

CUSTOMER
RESPONSIBILITY

ABOVE-GROUND
BACKFLOW ASSEMBLY
DOMESTIC LINE



DATE: 05/22/2023 WD DWG. NO. 15

SCALE: NOT TO SCALE

DEDICATED FIRE LINE
WITH DOMESTIC SERVICE

City of Hendersonville Engineering Department
305 Williams Street
Hendersonville, NC 28792
(828) 697-3000 (office)
www.cityofhendersonville.org